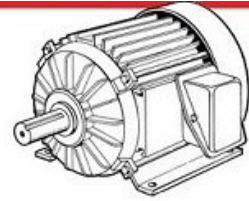


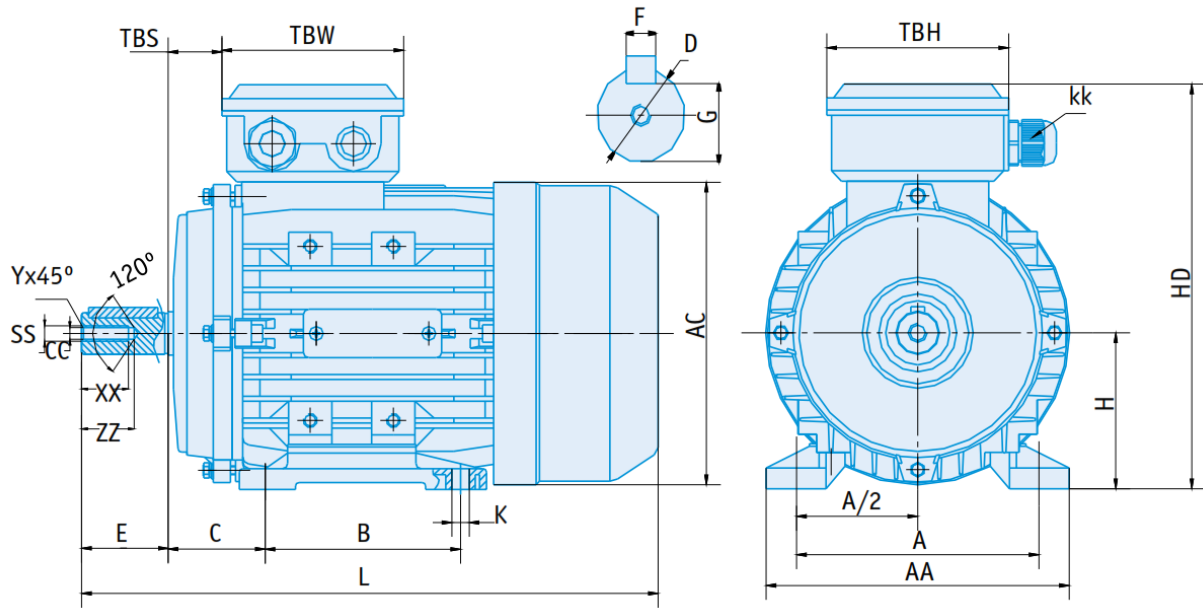
Elektrimootorid OÜ

Meile on oluline kvaliteet, kiirus ja täpsus

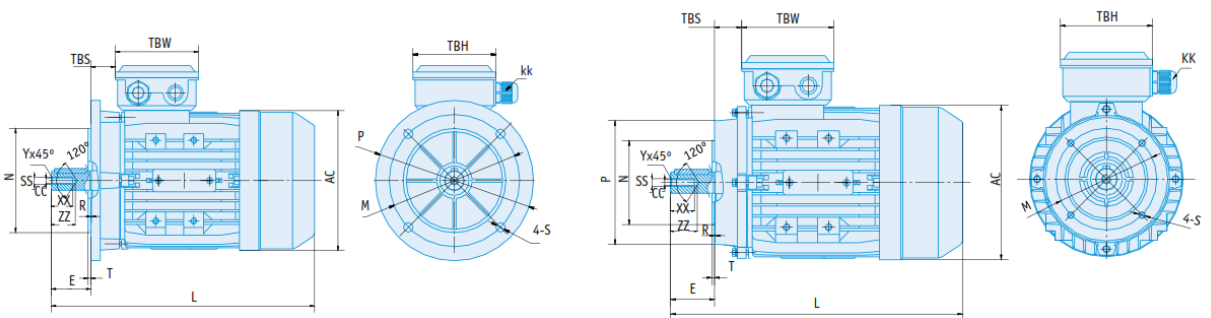


Mõõtmed

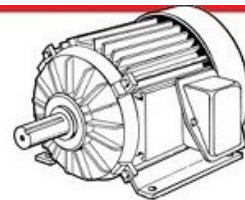
MS 90 seeria



| Frame | M B3 | | | | | | | | | | | Shaft Tolerances J6 | | | | | | | | |
|-------|------|-----|-----|-----|----|----|-----|-------|-----------|-----|-----|---------------------|-----|----|----|---|----|----|----|----|
| | A | AA | AC | B | C | H | HD | K | KK | L | TBS | TBW | TBH | D | E | F | G | SS | XX | ZZ |
| 90S | 140 | 175 | 183 | 100 | 56 | 90 | 229 | 10x13 | 1-M20x1.5 | 312 | 30 | 105 | 105 | 24 | 50 | 8 | 20 | M8 | 19 | 25 |
| 90L1 | 140 | 175 | 183 | 125 | 56 | 90 | 229 | 10x13 | 1-M20x1.5 | 337 | 30 | 105 | 105 | 24 | 50 | 8 | 20 | M8 | 19 | 25 |
| 90L2 | 140 | 175 | 183 | 125 | 56 | 90 | 229 | 10x13 | 1-M20x1.5 | 367 | 30 | 105 | 105 | 24 | 50 | 8 | 20 | M8 | 19 | 25 |



| Frame | IM B5 / IM 3001 4 Holes at 45° | | | | | IM B5R 4 Holes at 45° | | | | | IM B14 / IM 3601 4 Holes at 45° | | | | | IM B14G / IM 3601 G 4 Holes at 45° | | | | |
|-------|-----------------------------------|-----|-----|----|-----|--------------------------|-----|-----|----|-----|------------------------------------|----|-----|----|-----|---------------------------------------|-----|-----|----|-----|
| | M | N | P | S | T | M | N | P | S | T | M | N | P | S | T | M | N | P | S | T |
| 90 | 165 | 130 | 200 | 12 | 3.5 | 130 | 110 | 160 | 10 | 3.5 | 115 | 95 | 140 | M8 | 3.0 | 130 | 110 | 160 | M8 | 3.5 |



Tehnilised andmed

Sünkroon mootorid 3000 pööret 2 pooli

| TYPE | Power | | M_N N.m | n rpm | IE1 efficiency class EN 60034-2-1 100% | I_N 400 V A | I_A/I_N | Cos ϕ | M_A/M_N | M_K/M_N | J Kgm ² | Noise level dB(A) | m Kg |
|----------------|-------|----|--------------|----------|--|---------------------|-----------|------------|-----------|-----------|-----------------------|-------------------------|---------|
| | kW | CV | | | | | | | | | | | |
| IE1-MS 90 S-2 | 1.5 | 2 | 5.04 | 2840 | 78.5 | 3.28 | 6 | 0.84 | 2.2 | 2.4 | 0.00093 | 72 | 12.0 |
| IE1-MS 90 L1-2 | 2.2 | 3 | 7.40 | 2840 | 81 | 4.61 | 6 | 0.85 | 2.2 | 2.4 | 0.00115 | 72 | 14.5 |
| • MS 90 L2-2 | 3 | 4 | 10.09 | 2840 | 82.6 | 6.1 | 6 | 0.86 | 2.2 | 2.4 | 0.00142 | 74 | 15.0 |

- Reduced frame size.

* The electrical data are not restricted to the series, for more detailed information please ask. Data MSL Series and EGQ Series

Sünkroon mootorid 1500 pööret 4 pooli

400 V, 50 Hz

| TYPE | Power | | M_N N.m | n rpm | IE1 efficiency class EN 60034-2-1 100% | I_N 400 V A | I_A/I_N | Cos ϕ | M_A/M_N | M_K/M_N | J Kgm ² | Noise level dB(A) | m Kg |
|----------------|-------|-----|--------------|----------|--|---------------------|-----------|------------|-----------|-----------|-----------------------|-------------------------|---------|
| | kW | CV | | | | | | | | | | | |
| IE1-MS 90 S-4 | 1.1 | 1.5 | 7.50 | 1400 | 76.2 | 2.64 | 6 | 0.79 | 2.2 | 2.4 | 0.00168 | 61 | 11.7 |
| IE1-MS 90 L1-4 | 1.5 | 2 | 10.23 | 1400 | 78.5 | 3.45 | 6 | 0.80 | 2.2 | 2.4 | 0.00217 | 61 | 14.4 |
| • MS 90 L2-4 | 2.2 | 3 | 15.01 | 1400 | 81 | 4.9 | 7 | 0.80 | 2.2 | 2.4 | 0.00262 | 63 | 17.6 |

Sünkroon mootorid 1000 pööret 6 pooli

400 V, 50 Hz

| TYPE | Power | | M_N N.m | n rpm | IE1 efficiency class EN 60034-2-1 100% | I_N 400 V A | I_A/I_N | Cos ϕ | M_A/M_N | M_K/M_N | J Kgm ² | Noise level dB(A) | m Kg |
|----------------|-------|-----|--------------|----------|--|---------------------|-----------|------------|-----------|-----------|-----------------------|-------------------------|---------|
| | kW | CV | | | | | | | | | | | |
| IE1-MS 90 S-6 | 0.75 | 1 | 7.8 | 920 | 69 | 2.18 | 5.5 | 0.72 | 2.2 | 2.2 | 0.00266 | 59 | 11.3 |
| IE1-MS 90 L1-6 | 1.1 | 1.5 | 11.4 | 925 | 72 | 3.02 | 5.5 | 0.73 | 2.2 | 2.2 | 0.00350 | 59 | 14.4 |
| • MS 90 L2-6 | 1.5 | 2 | 15.5 | 925 | 74 | 3.9 | 5.5 | 0.75 | 2 | 2.2 | 0.00625 | 60 | 15.5 |

Sünkroon mootorid 750 pööret 8 pooli

400 V, 50 Hz

| TYPE | Power | | M_N N.m | n rpm | IE1 efficiency class EN 60034-2-1 100% | I_N 400 V A | I_A/I_N | Cos ϕ | M_A/M_N | M_K/M_N | J Kgm ² | Noise level dB(A) | m Kg |
|-----------|-------|------|--------------|----------|--|---------------------|-----------|------------|-----------|-----------|-----------------------|-------------------------|---------|
| | kW | CV | | | | | | | | | | | |
| MS 90 S-8 | 0.37 | 0.5 | 5.2 | 680 | 63 | 1.35 | 2.8 | 0.63 | 1.6 | 1.8 | 0.00186 | 56 | 12.5 |
| MS 90 L-8 | 0.55 | 0.75 | 7.7 | 680 | 66 | 1.85 | 3 | 0.65 | 1.6 | 1.8 | 0.00217 | 56 | 15.3 |