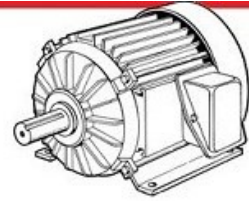


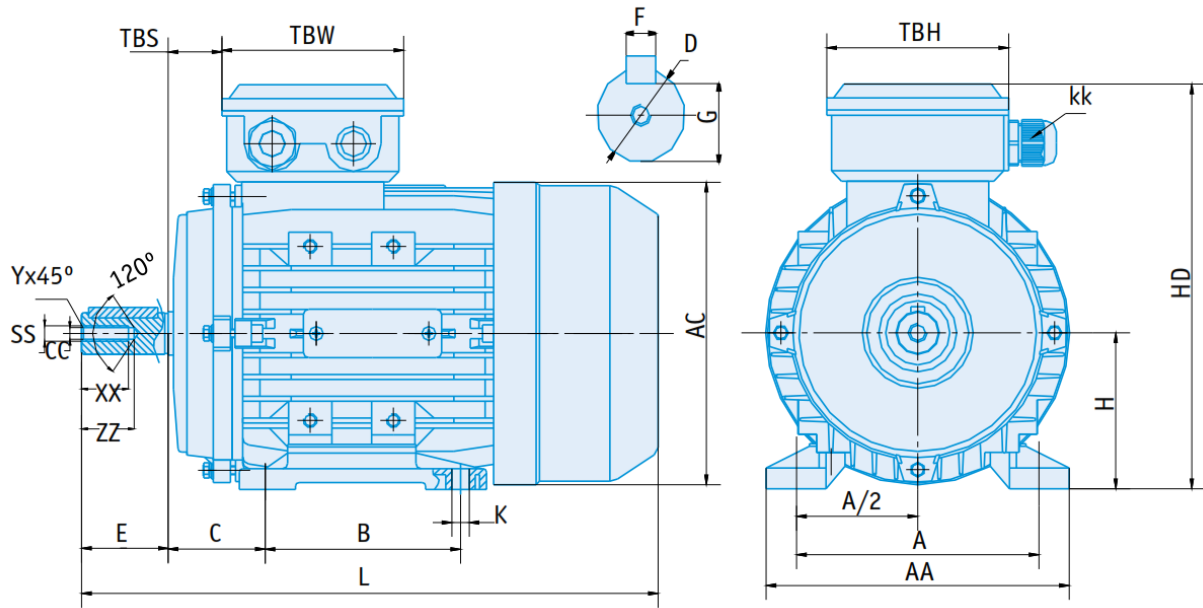
Elektrimootorid OÜ

Meile on oluline kvaliteet, kiirus ja täpsus

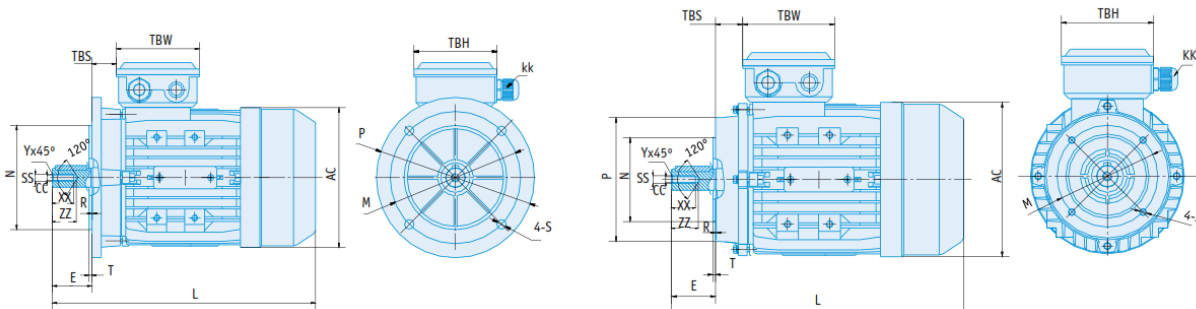


Mõõtmed

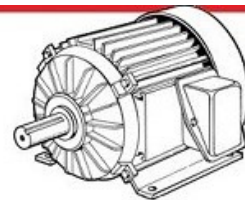
MS 80 seeria



M B3											Shaft Tolerances J6									
Frame	A	AA	AC	B	C	H	HD	K	KK	L	TBS	TBW	TBH	D	E	F	G	SS	XX	ZZ
80	125	160	163	100	50	80	213	10x13	1-M20x1.5	290	27	105	105	19	40	6	15.5	M6	16	21



Frame	IM B5 / IM 3001 4 Holes at 45°					IM B5R 4 Holes at 45°					IM B14 / IM 3601 4 Holes at 45°					IM B14G / IM 3601 G 4 Holes at 45°				
	M	N	P	S	T	M	N	P	S	T	M	N	P	S	T	M	N	P	S	T
80	165	130	200	12	3.5	130	110	160	10	3.5	100	80	120	M6	3.0	130	110	160	M8	3.5



Tehnilised andmed

Sünkroon mootorid 3000 pööret 2 pooli

TYPE	Power		M_N N.m	n rpm	IE1 efficiency class EN 60034-2-1 100%	I_N 400 V A	I_A/I_N	Cos ϕ	M_A/M_N	M_K/M_N	J Kgm ²	Noise level dB(A)	m Kg
	kW	CV											
IE1-MS 80 1-2	0.75	1	2.59	2770	73	1.77	6	0.84	2.2	2.4	0.00039	67	8.7
IE1-MS 80 2-2	1.1	1.5	3.79	2770	76.2	2.51	6	0.83	2.2	2.4	0.00051	67	10.0
• MS 80 3-2	1.5	2	5.12	2800	78.5	3.32	6	0.83	2.2	2.4	0.00068	70	11.2

- Reduced frame size.

* The electrical data are not restricted to the series, for more detailed information please ask. Data MSL Series and EGQ Series

Sünkroon mootorid 1500 pööret 4 pooli

400 V, 50 Hz

TYPE	Power		M_N N.m	n rpm	IE1 efficiency class EN 60034-2-1 100%	I_N 400 V A	I_A/I_N	Cos ϕ	M_A/M_N	M_K/M_N	J Kgm ²	Noise level dB(A)	m Kg
	kW	CV											
MS 80 1-4	0.55	0.75	3.83	1370	67	1.58	6	0.75	2.2	2.4	0.00124	58	8.1
IE1-MS 80 2-4	0.75	1	5.19	1380	72	1.93	6	0.78	2.2	2.4	0.00167	58	9.1
• MS 80 3-4	1.1	1.5	7.56	1390	76.2	2.67	6	0.78	2.2	2.4	0.00185	60	11.0

- Reduced frame size.

* The electrical data are not restricted to the series, for more detailed information please ask. Data MSL Series and EGQ series.

Sünkroon mootorid 1000 pööret 6 pooli

400 V, 50 Hz

TYPE	Power		M_N N.m	n rpm	IE1 efficiency class EN 60034-2-1 100%	I_N 400 V A	I_A/I_N	Cos ϕ	M_A/M_N	M_K/M_N	J Kgm ²	Noise level dB(A)	m Kg
	kW	CV											
MS 80 1-6	0.37	0.5	3.9	900	62	1.23	4	0.70	1.9	1.9	0.00140	56	8.1
MS 80 2-6	0.55	0.75	5.8	900	67	1.65	4	0.72	2	2.3	0.00186	56	9.6
• MS 80 3-6	0.75	1	8	900	68	2.21	4	0.72	2	2.3	0.00232	58	10.0

Sünkroon mootorid 750 pööret 8 pooli

400 V, 50 Hz

TYPE	Power		M_N N.m	n rpm	IE1 efficiency class EN 60034-2-1 100%	I_N 400 V A	I_A/I_N	Cos ϕ	M_A/M_N	M_K/M_N	J Kgm ²	Noise level dB(A)	m Kg
	kW	CV											
MS 80 1-8	0.18	0.25	2.5	680	51	0.84	2.8	0.61	1.5	1.7	0.00140	52	9.4
MS 80 2-8	0.25	0.33	3.5	680	56	1.06	2.7	0.61	1.6	2	0.00186	52	10.1
• MS 80 3-8	0.37	0.5	5.2	680	63	1.35	2.8	0.63	1.6	1.8	0.00195	56	14.8