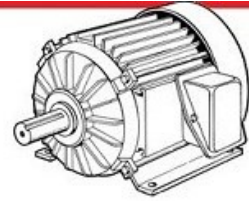


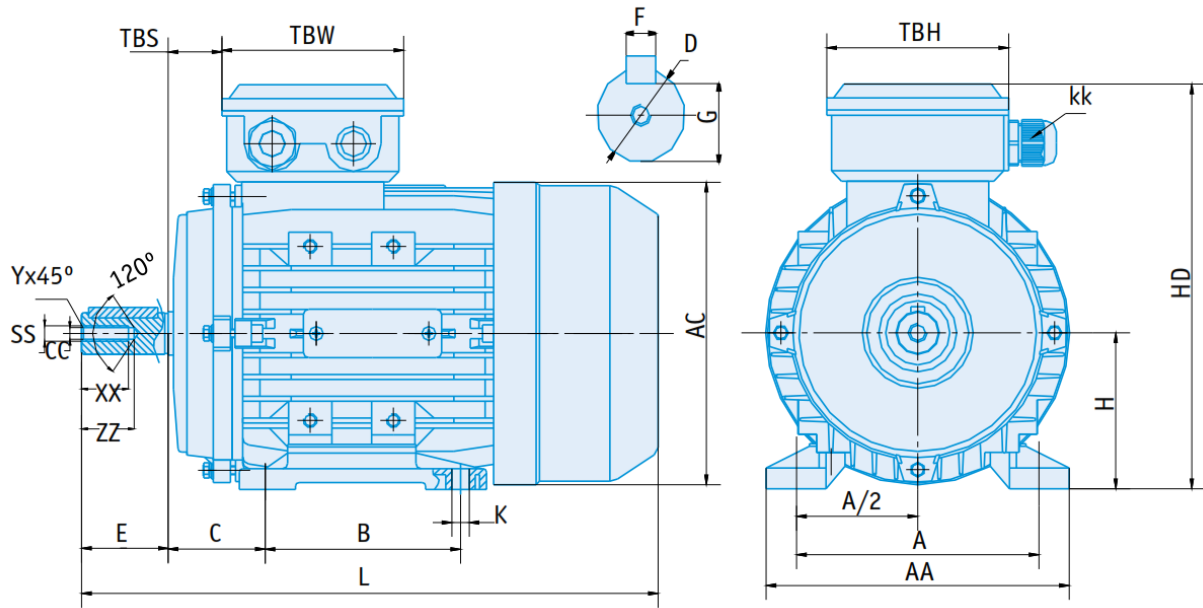
Elektrimootorid OÜ

Meile on oluline kvaliteet, kiirus ja täpsus



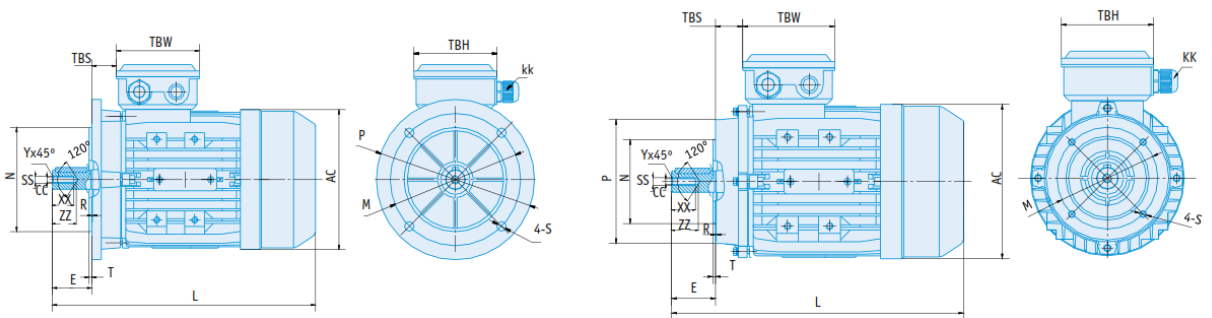
Mõõtmed

MS 71 seeria

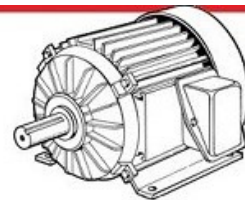


M B3													Shaft Tolerances J6							
Frame	A	AA	AC	B	C	H	HD	K	KK	L	TBS	TBW	TBH	D	E	F	G	SS	XX	ZZ
71*	112	132	147	90	45	71	186	7x10	1-M20x1.5	241 (255)	20	94	94	14	30	5	11.0	M5	12	17

* IEC Frame (reduced frame size).



Frame	IM B5 / IM 3001 4 Holes at 45°					IM B5R 4 Holes at 45°					IM B14 / IM 3601 4 Holes at 45°					IM B14G / IM 3601 G 4 Holes at 45°				
	M	N	P	S	T	M	N	P	S	T	M	N	P	S	T	M	N	P	S	T
71	130	110	160	10	3.5	115	95	140	10	3.0	85	70	105	M6	2.5	115	95	140	M8	3.0



Tehnilised andmed

Sünkroon mootorid 3000 pööret 2 pooli

TYPE	Power		M_N N.m	n rpm	IE1 efficiency class EN 60034-2-1 100%	I_N 400 V A	I_A/I_N	Cos ϕ	M_A/M_N	M_K/M_N	J Kgm ²	Noise level dB(A)	m Kg
	kW	CV											
MS 71 1-2	0.37	0.5	1.29	2730	70	0.97	6	0.79	2.2	2.4	0.00021	64	5.2
MS 71 2-2	0.55	0.75	1.90	2760	71	1.42	6	0.79	2.2	2.4	0.00027	64	6.0
• MS 71 3-2	0.75	1	2.62	2730	72	1.83	6	0.82	2.2	2.4	0.00033	65	7.0

Sünkroon mootorid 1500 pööret 4 pooli

400 V, 50 Hz

TYPE	Power		M_N N.m	n rpm	IE1 efficiency class EN 60034-2-1 100%	I_N 400 V A	I_A/I_N	Cos ϕ	M_A/M_N	M_K/M_N	J Kgm ²	Noise level dB(A)	m Kg
	kW	CV											
MS 71 1-4	0.25	0.33	1.77	1350	60	0.84	6	0.72	2.2	2.4	0.00058	55	5.0
MS 71 2-4	0.37	0.5	2.58	1370	65	1.11	6	0.74	2.2	2.4	0.00065	55	5.8
• MS 71 3-4	0.55	0.75	3.81	1380	66	1.6	6	0.75	2.2	2.4	0.00087	57	6.5

- Reduced frame size.

* The electrical data are not restricted to the series, for more detailed information please ask. Data MSL Series and EGQ series.

Sünkroon mootorid 1000 pööret 6 pooli

400 V, 50 Hz

TYPE	Power		M_N N.m	n rpm	IE1 efficiency class EN 60034-2-1 100%	I_N 400 V A	I_A/I_N	Cos ϕ	M_A/M_N	M_K/M_N	J Kgm ²	Noise level dB(A)	m Kg
	kW	CV											
MS 71 1-6	0.18	0.25	2	880	56	0.7	4	0.66	1.6	1.7	0.00065	52	5.6
MS 71 2-6	0.25	0.33	2.7	900	59	0.87	4	0.70	2.1	2.2	0.00087	52	6.0
• MS 71 3-6	0.37	0.5	4	890	61	1.27	4	0.69	2	2.1	0.00108	54	6.8

- Reduced frame size.

* The electrical data are not restricted to the series, for more detailed information please ask. Data MSL Series and EGQ series.

Sünkroon mootorid 750 pööret 8 pooli

400 V, 50 Hz

TYPE	Power		M_N N.m	n rpm	IE1 efficiency class EN 60034-2-1 100%	I_N 400 V A	I_A/I_N	Cos ϕ	M_A/M_N	M_K/M_N	J Kgm ²	Noise level dB(A)	m Kg
	kW	CV											
MS 71 1-8	0.09	0.12	1.3	680	48	0.48	3	0.56	1.5	1.7	0.00084	50	5.6
MS 71 2-8	0.12	0.17	1.7	690	51	0.58	2.7	0.59	1.6	1.7	0.00087	50	6.0