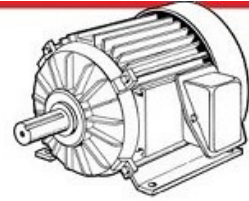


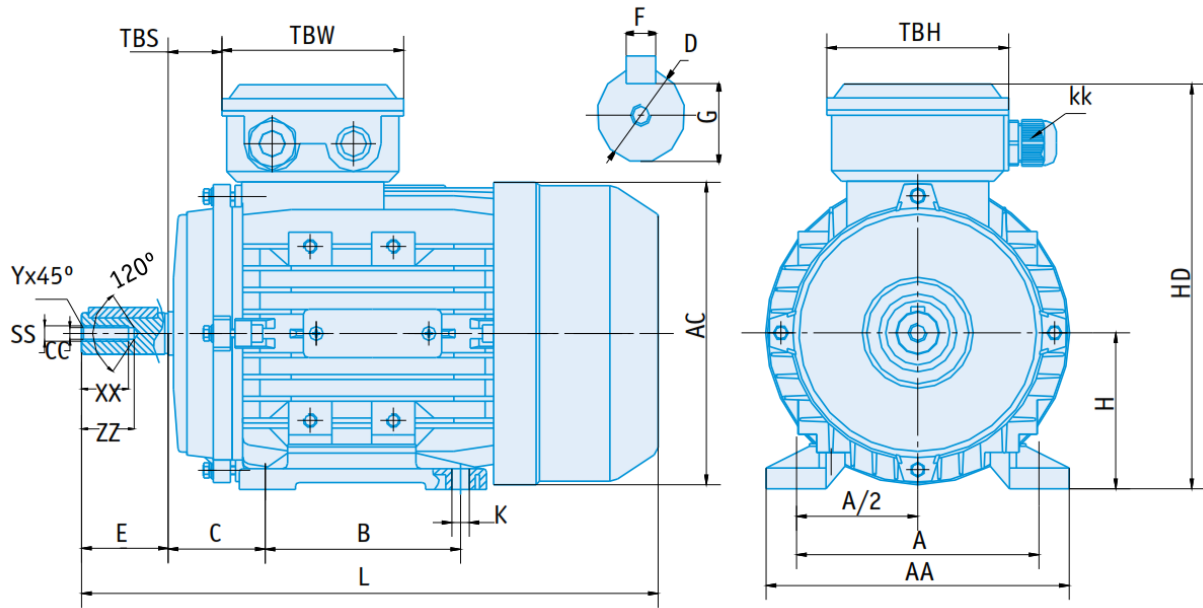
# Elektrimootorid OÜ

Meile on oluline kvaliteet, kiirus ja täpsus



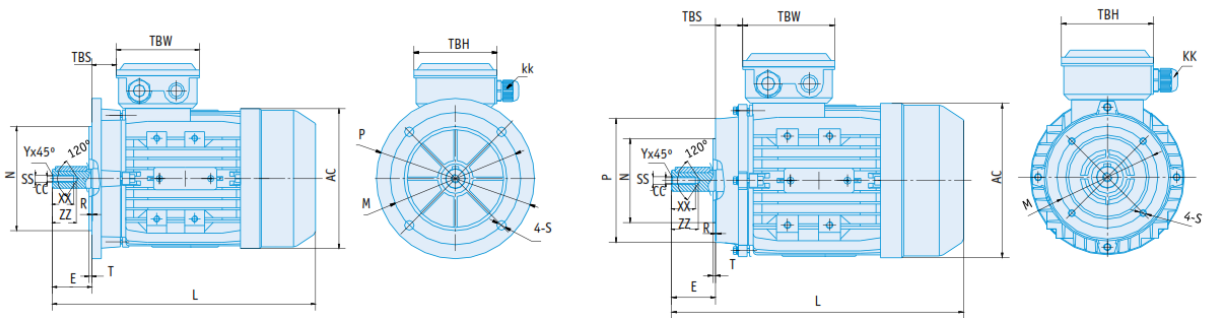
## Mõõtmed

### MS 56 seeria

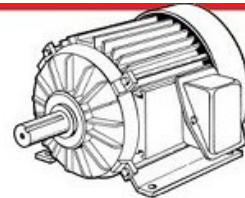


M B3											Shaft Tolerances J6									
Frame	A	AA	AC	B	C	H	HD	K	KK	L	TBS	TBW	TBH	D	E	F	G	SS	XX	ZZ
56	90	110	117	71	36	56	156	5.8x8.8	1-M16x1.5	196	14	88	88	9	20	3	7.2	M3	9	12

\* IEC Frame (reduced frame size).



Frame	IM B5 / IM 3001 4 Holes at 45°					IM B5R 4 Holes at 45°					IM B14 / IM 3601 4 Holes at 45°					IM B14G / IM 3601 G 4 Holes at 45°				
	M	N	P	S	T	M	N	P	S	T	M	N	P	S	T	M	N	P	S	T
56	100	80	120	7	3.0	NOT AVAILABLE					65	50	80	M5	2.5	NOT AVAILABLE				



## Tehnilised andmed

### Sünkroon mootorid 3000 pööret 2 pooli

TYPE	Power		$M_N$ N.m	n rpm	IE1 efficiency class EN 60034-2-1 100%	$I_N$ 400 V A	$I_A/I_N$	Cos $\phi$	$M_A/M_N$	$M_k/M_N$	J Kgm <sup>2</sup>	Noise level dB(A)	m Kg
	kW	CV											
MS 56 1-2	0.09	0.12	0.32	2710	53	0.36	4	0.72	2.2	2.3	0.00006	58	2.6
MS 56 2-2	0.12	0.17	0.42	2700	61	0.4	4	0.72	2.2	2.3	0.00008	58	3.0
• MS 56 3-2	0.18	0.25	0.63	2710	63	0.55	6	0.75	2.2	2.4	0.00010	61	4.0

### Sünkroon mootorid 1500 pööret 4 pooli

400 V, 50 Hz

TYPE	Power		$M_N$ N.m	n rpm	IE1 efficiency class EN 60034-2-1 100%	$I_N$ 400 V A	$I_A/I_N$	Cos $\phi$	$M_A/M_N$	$M_k/M_N$	J Kgm <sup>2</sup>	Noise level dB(A)	m Kg
	kW	CV											
MS 56 1-4	0.06	0.08	0.42	1360	50	0.35	4	0.56	2.3	2.4	0.00009	50	2.9
MS 56 2-4	0.09	0.12	0.63	1360	52	0.45	4	0.59	2.3	2.4	0.00011	50	3.2
• MS 56 3-4	0.12	0.17	0.84	1360	52	0.55	4	0.64	2.2	2.4	0.00014	52	3.7

- Reduced frame size.