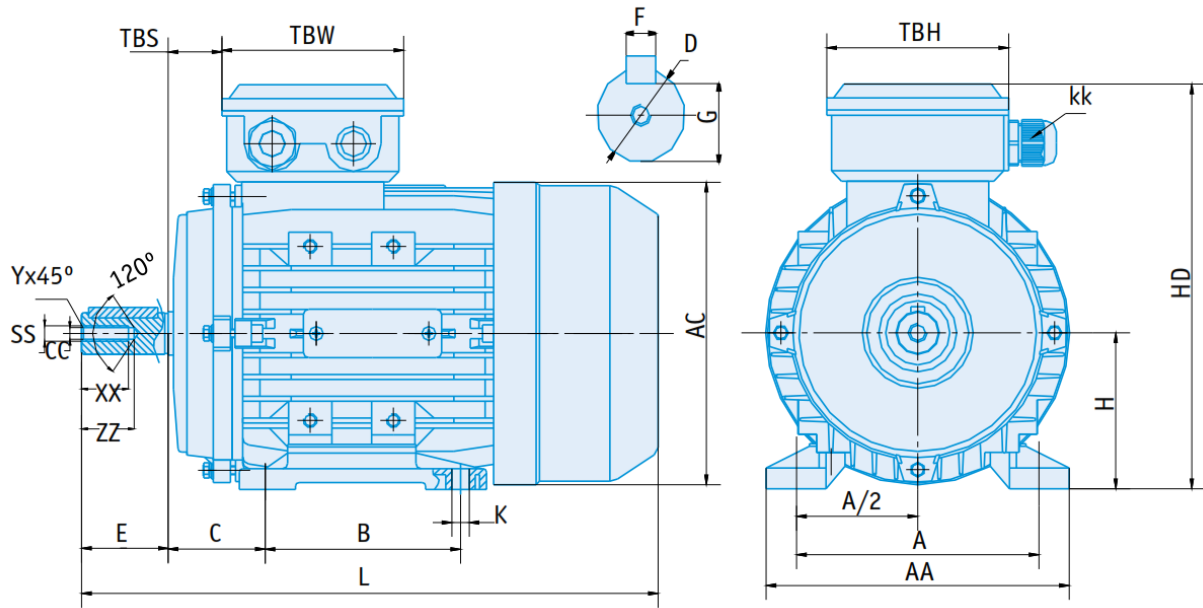
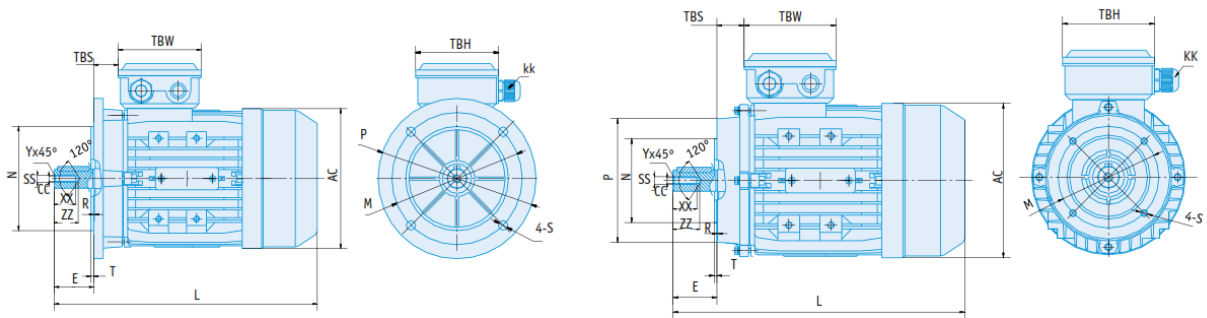


Mõõtmed

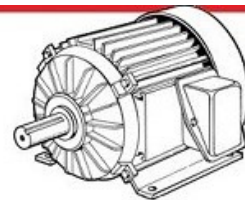
MS 160 seeria



M B3											Shaft Tolerances J6									
Frame	A	AA	AC	B	C	H	HD	K	KK	L	TBS	TBW	TBH	D	E	F	G	SS	XX	ZZ
160M	254	290	325	210	108	160	384	15x19	2-M32x1.5	640	64	143	143	42	110	12	37	M16	36	45
160L	254	290	325	254	108	160	384	15x19	2-M32x1.5	640	64	143	143	42	110	12	37	M16	36	45



Frame	IM B5 / IM 3001 4 Holes at 45°					IM B5R 4 Holes at 45°					IM B14 / IM 3601 4 Holes at 45°					IM B14G / IM 3601 G 4 Holes at 45°				
	M	N	P	S	T	M	N	P	S	T	M	N	P	S	T	M	N	P	S	T
160	300	250	350	19	5.0	NOT AVAILABLE					215	180	250	M12	4.0	NOT AVAILABLE				



Tehnilised andmed

Sünkroon mootorid 3000 pööret 2 pooli

TYPE	Power		M_N N.m	n rpm	IE1 efficiency class EN 60034-2-1 100%	I_N 400 V A	I_A/I_N	Cos ϕ	M_A/M_N	M_K/M_N	J Kgm ²	Noise level dB(A)	m Kg
	kW	CV											
IE1-MS 160 M1-2	11	15	35.73	2940	88.4	20	7.5	0.90	2	2.2	0.02380	86	76.0
IE1-MS 160 M2-2	15	20	48.72	2940	89.4	26.6	7.5	0.91	2	2.2	0.03117	86	77.5
IE1-MS 160 L2-2	18.5	25	60.09	2940	90	32.6	7.5	0.91	2	2.2	0.03617	86	92.0
IE1-EG 160 M1-2	11	15	35.9	2930	88.4	21.2	7.5	0.89	2.2	2.3	0.0377	88	109
IE1-EG 160 M2-2	15	20	48.9	2930	89.4	28.6	7.5	0.89	2.2	2.3	0.0449	88	125
IE1-EG 160 L-2	18.5	25	60.3	2930	90	34.7	7.5	0.90	2.2	2.3	0.0550	88	147

Sünkroon mootorid 1500 pööret 4 pooli

400 V, 50 Hz

TYPE	Power		M_N N.m	n rpm	IE1 efficiency class EN 60034-2-1 100%	I_N 400 V A	I_A/I_N	Cos ϕ	M_A/M_N	M_K/M_N	J Kgm ²	Noise level dB(A)	m Kg
	kW	CV											
IE1-MS 160 M-4	11	15	71.95	1460	88.4	20.6	7	0.87	2.2	2.2	0.04575	75	73.0
IE1-MS 160 L-4	15	20	98.12	1460	88.4	28.2	7.5	0.87	2.2	2.2	0.05968	75	88.5
IE1-EG 160 M-4	11	15	72	1460	88.4	22.5	7	0.84	2.2	2.3	0.0747	80	118
IE1-EG 160 L-4	15	20	98.1	1460	89.4	30	7.5	0.85	2.2	2.3	0.0918	79	138

Sünkroon mootorid 1000 pööret 6 pooli

400 V, 50 Hz

TYPE	Power		M_N N.m	n rpm	IE1 efficiency class EN 60034-2-1 100%	I_N 400 V A	I_A/I_N	Cos ϕ	M_A/M_N	M_K/M_N	J Kgm ²	Noise level dB(A)	m Kg
	kW	CV											
IE1-MS 160 M-6	7.5	10	74.6	960	86	15.7	6.5	0.80	2	2.2	0.06927	68	70.0
IE1-MS 160 L-6	11	15	109.4	960	87.5	23	6.5	0.79	2	2.2	0.12674	73	87.0
IE1-EG 160 M-6	7.5	10	73.8	970	86	17	6.5	0.77	2	2.1	0.0881	80	119
IE1-EG 160 L-6	11	15	108	970	87.5	24.5	6.5	0.78	2	2.1	0.1160	80	147

Sünkroon mootorid 750 pööret 8 pooli

400 V, 50 Hz

TYPE	Power		M_N N.m	n rpm	IE1 efficiency class EN 60034-2-1 100%	I_N 400 V A	I_A/I_N	Cos ϕ	M_A/M_N	M_K/M_N	J Kgm ²	Noise level dB(A)	m Kg
	kW	CV											
MS 160 M1-8	4	5.5	52.3	730	80	9.89	6	0.73	1.9	2.1	0.06927	68	59.0
MS 160 M2-8	5.5	7.5	73	720	83.5	12.9	6	0.74	2	2.2	0.09353	68	69.0
MS 160 L-8	7.5	10	99.5	720	85	17	6	0.75	1.9	2.2	0.11300	68	87.0
EG 160 M1-8	4	5.5	53.1	720	81	10.3	6	0.73	1.9	2	0.0753	76	118
EG 160 M2-8	5.5	7.5	73	720	83	13.6	6	0.74	2	2	0.0931	76	119
EG 160 L-8	7.5	10	99.5	720	85.5	17.8	6	0.75	2	2	0.1260	76	145