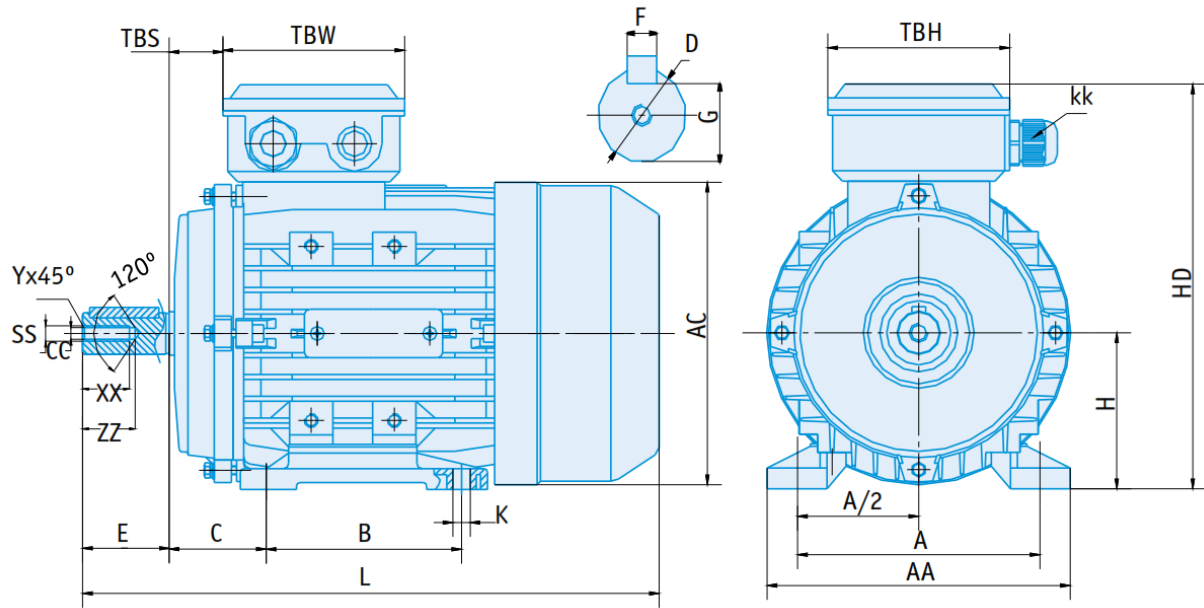
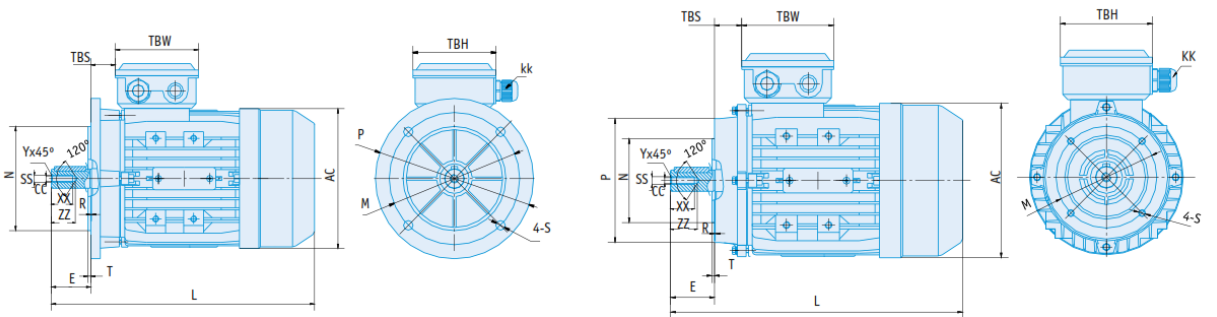


Mõõtmed

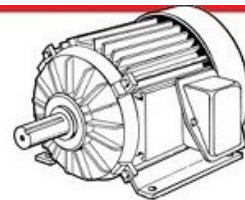
MS 132 seeria



M B3	Shaft Tolerances J6																			
	Frame	A	AA	AC	B	C	H	HD	K	KK	L	TBS	TBW	TBH	D	E	F	G	SS	XX
132S	216	252	265	140	89	132	318	12x15	2-M25x1.5	437	38	112	112	38	80	10	33	M12	28	37
132M	216	252	265	178	89	132	318	12x15	2-M25x1.5	475	38	112	112	38	80	10	33	M12	28	37
132L	216	252	265	178	89	132	318	12x15	2-M25x1.5	501	38	112	112	38	80	10	33	M12	28	37



Frame	IM B5 / IM 3001 4 Holes at 45°					IM B5R 4 Holes at 45°					IM B14 / IM 3601 4 Holes at 45°					IM B14G / IM 3601 G 4 Holes at 45°				
	M	N	P	S	T	M	N	P	S	T	M	N	P	S	T	M	N	P	S	T
132	265	230	300	15	4.0	215	180	250	15	4.0	165	130	200	M10	4.0	215	180	250	M12	4.0



Tehnilised andmed

Sünkroon mootorid 3000 pöret 2 pooli

TYPE	Power		M_N N.m	n rpm	IE1 efficiency class EN 60034-2-1 100%	I_N 400 V A	I_A/I_N	Cos ϕ	M_A/M_N	M_K/M_N	J Kgm ²	Noise level dB(A)	m Kg
	kW	CV											
IE1-MS 132 S1-2	5.5	7.5	18.11	2900	85.7	10.5	7.5	0.88	2	2.2	0.00744	80	38.4
IE1-MS 132 S2-2	7.5	10	24.53	2920	87	14.1	7.5	0.88	2	2.2	0.00910	80	41.3
• MS 132 M1-2	9.2	12.5	29.99	2930	88	17.3	7.5	0.89	2	2.2	0.01072	81	48.2
• MS 132 M2-2	11	15	35.85	2930	88.4	20	7.5	0.90	2	2.2	0.01146	83	52.5

Sünkroon mootorid 1500 pöret 4 pooli

400 V, 50 Hz

TYPE	Power		M_N N.m	n rpm	IE1 efficiency class EN 60034-2-1 100%	I_N 400 V A	I_A/I_N	Cos ϕ	M_A/M_N	M_K/M_N	J Kgm ²	Noise level dB(A)	m Kg
	kW	CV											
IE1-MS 132 S-4	5.5	7.5	36.22	1450	85.7	11	7	0.84	2.2	2.2	0.01803	71	39.0
IE1-MS 132 M-4	7.5	10	49.40	1450	87	14.6	7	0.85	2.2	2.2	0.02218	71	48.6
• MS 132 L1-4	9.2	12.5	60.18	1460	87.5	17.9	7.5	0.85	2.2	2.2	0.02436	74	56.5
• MS 132 L2-4	11	15	71.95	1460	88.4	20.9	7.5	0.86	2.2	2.2	0.02672	74	64

Sünkroon mootorid 1000 pöret 6 pooli

400 V, 50 Hz

TYPE	Power		M_N N.m	n rpm	IE1 efficiency class EN 60034-2-1 100%	I_N 400 V A	I_A/I_N	Cos ϕ	M_A/M_N	M_K/M_N	J Kgm ²	Noise level dB(A)	m Kg
	kW	CV											
IE1-MS 132 S-6	3	4	29.8	960	79	7.21	6.5	0.76	2	2	0.02187	64	35.0
IE1-MS 132 M1-6	4	5.5	39.8	960	80.5	9.44	6.5	0.76	2	2	0.02541	68	47.6
IE1-MS 132 M2-6	5.5	7.5	54.7	960	83	12.4	6.5	0.77	2	2	0.03068	68	50.7
• MS 132 L-6	7.5	10	74.6	960	85	16.5	6.5	0.77	2	2	0.03602	68	47.6

Sünkroon mootorid 750 pöret 8 pooli

400 V, 50 Hz

TYPE	Power		M_N N.m	n rpm	IE1 efficiency class EN 60034-2-1 100%	I_N 400 V A	I_A/I_N	Cos ϕ	M_A/M_N	M_K/M_N	J Kgm ²	Noise level dB(A)	m Kg
	kW	CV											
MS 132 S-8	2.2	3	29.2	720	75	5.96	5.5	0.71	2	2	0.02541	64	34.2
MS 132 M-8	3	4	39.8	720	77	7.7	5.5	0.73	2	2	0.03068	64	40.0

- Reduced frame size.