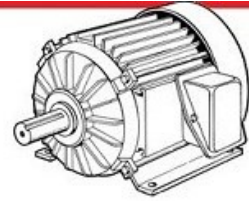


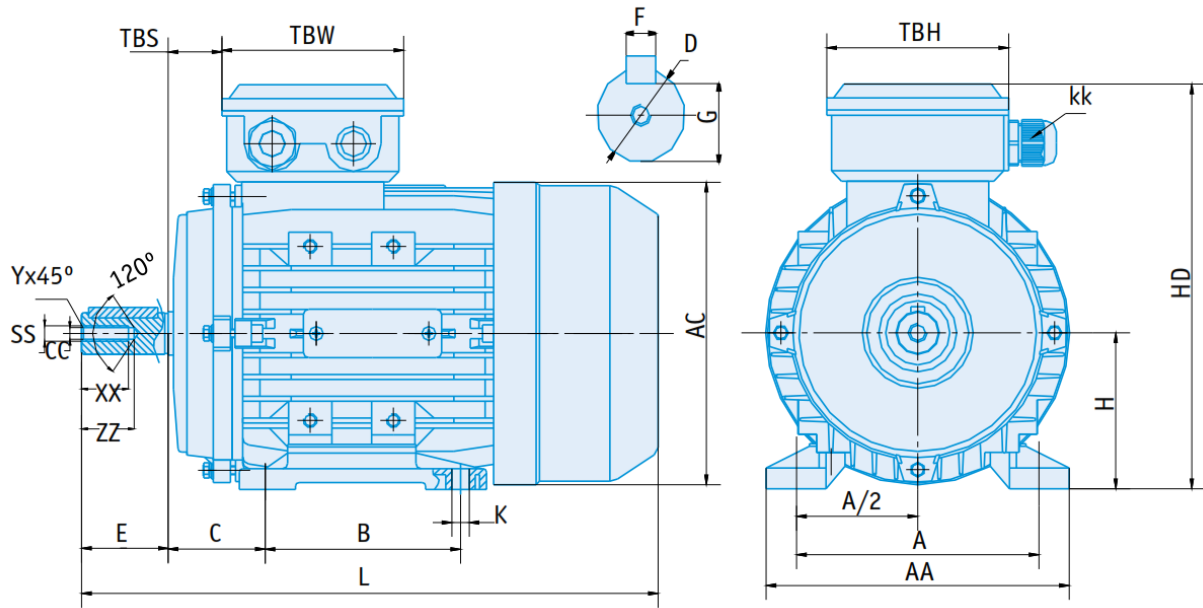
Elektrimootorid OÜ

Meile on oluline kvaliteet, kiirus ja täpsus

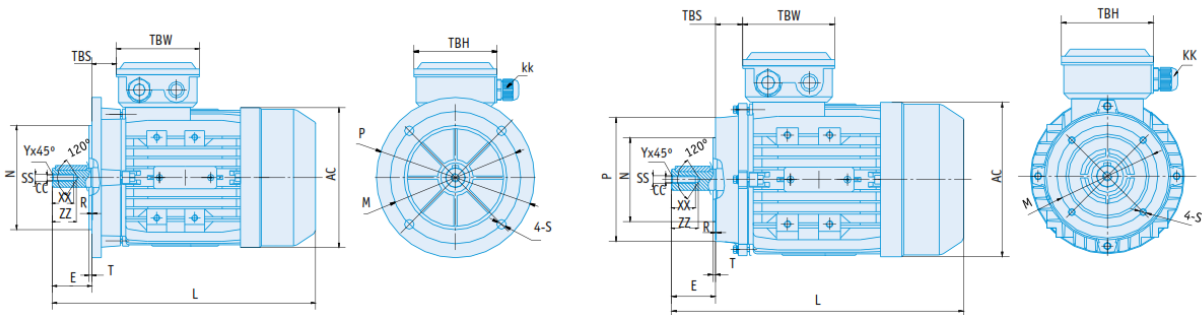


Mõõtmed

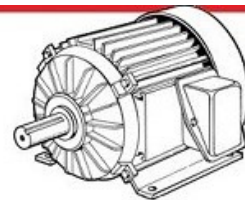
MS 112 seeria



| M B3 | | | | | | | | | | | Shaft Tolerances J6 | | | | | | | | | |
|-------|-----|-----|-----|-----|----|-----|-----|-------|-----------|-----|---------------------|-----|-----|----|----|---|----|-----|----|----|
| Frame | A | AA | AC | B | C | H | HD | K | KK | L | TBS | TBW | TBH | D | E | F | G | SS | XX | ZZ |
| 112 | 190 | 220 | 229 | 140 | 70 | 112 | 279 | 12x15 | 2-M25x1.5 | 395 | 32 | 112 | 112 | 28 | 60 | 8 | 24 | M10 | 22 | 30 |



| M B3 | | | | | | | | | | | Shaft Tolerances J6 | | | | | | | | | |
|-------|-----|-----|-----|-----|----|-----|-----|-------|-----------|-----|---------------------|-----|-----|----|----|---|----|-----|----|----|
| Frame | A | AA | AC | B | C | H | HD | K | KK | L | TBS | TBW | TBH | D | E | F | G | SS | XX | ZZ |
| 112 | 190 | 220 | 229 | 140 | 70 | 112 | 279 | 12x15 | 2-M25x1.5 | 395 | 32 | 112 | 112 | 28 | 60 | 8 | 24 | M10 | 22 | 30 |



Tehnilised andmed

Sünkroon mootorid 3000 pööret 2 pooli

| TYPE | Power | | M_N N.m | n rpm | IE1 efficiency class EN 60034-2-1 100% | I_N 400 V A | I_A/I_N | Cos ϕ | M_A/M_N | M_K/M_N | J Kgm ² | Noise level dB(A) | m Kg |
|----------------|-------|-----|--------------|----------|--|---------------------|-----------|------------|-----------|-----------|-----------------------|-------------------------|---------|
| | kW | CV | | | | | | | | | | | |
| IE1-MS 112 M-2 | 4 | 5.5 | 13.26 | 2880 | 84.2 | 7.88 | 7.5 | 0.87 | 2.2 | 2.3 | 0.00317 | 77 | 26.0 |
| • MS 112 L2-2 | 5.5 | 7.5 | 18.24 | 2880 | 85.7 | 10.5 | 7.5 | 0.88 | 2.2 | 2.3 | 0.00434 | 78 | 29.3 |

Sünkroon mootorid 1500 pööret 4 pooli

400 V, 50 Hz

| TYPE | Power | | M_N N.m | n rpm | IE1 efficiency class EN 60034-2-1 100% | I_N 400 V A | I_A/I_N | Cos ϕ | M_A/M_N | M_K/M_N | J Kgm ² | Noise level dB(A) | m Kg |
|----------------|-------|-----|--------------|----------|--|---------------------|-----------|------------|-----------|-----------|-----------------------|-------------------------|---------|
| | kW | CV | | | | | | | | | | | |
| IE1-MS 112 M-4 | 4 | 5.5 | 26.71 | 1430 | 84.2 | 8.26 | 7 | 0.83 | 2.2 | 2.2 | 0.00866 | 65 | 29.0 |
| • MS 112 L-4 | 5.5 | 7.5 | 36.48 | 1440 | 85.7 | 11.2 | 7 | 0.83 | 2.2 | 2.2 | 0.00955 | 68 | 35.7 |

Sünkroon mootorid 1000 pööret 6 pooli

400 V, 50 Hz

| TYPE | Power | | M_N N.m | n rpm | IE1 efficiency class EN 60034-2-1 100% | I_N 400 V A | I_A/I_N | Cos ϕ | M_A/M_N | M_K/M_N | J Kgm ² | Noise level dB(A) | m Kg |
|----------------|-------|----|--------------|----------|--|---------------------|-----------|------------|-----------|-----------|-----------------------|-------------------------|---------|
| | kW | CV | | | | | | | | | | | |
| IE1-MS 112 M-6 | 2.2 | 3 | 22 | 955 | 78 | 5.36 | 6 | 0.76 | 2.2 | 2.2 | 0.01333 | 64 | 25.0 |
| • MS 112 L-6 | 3 | 4 | 30.2 | 950 | 79 | 7.12 | 6 | 0.77 | 2.2 | 2.2 | 0.01800 | 64 | 30.0 |

Sünkroon mootorid 750 pööret 8 pooli

400 V, 50 Hz

| TYPE | Power | | M_N N.m | n rpm | IE1 efficiency class EN 60034-2-1 100% | I_N 400 V A | I_A/I_N | Cos ϕ | M_A/M_N | M_K/M_N | J Kgm ² | Noise level dB(A) | m Kg |
|------------|-------|----|--------------|----------|--|---------------------|-----------|------------|-----------|-----------|-----------------------|-------------------------|---------|
| | kW | CV | | | | | | | | | | | |
| MS 112 M-8 | 1.5 | 2 | 20.2 | 710 | 74 | 4.3 | 4.2 | 0.68 | 1.8 | 2.1 | 0.01159 | 61 | 25.5 |

- Reduced frame size.

* The electrical data are not restricted to the series, for more detailed information please ask. Data MSL Series and EGQ series