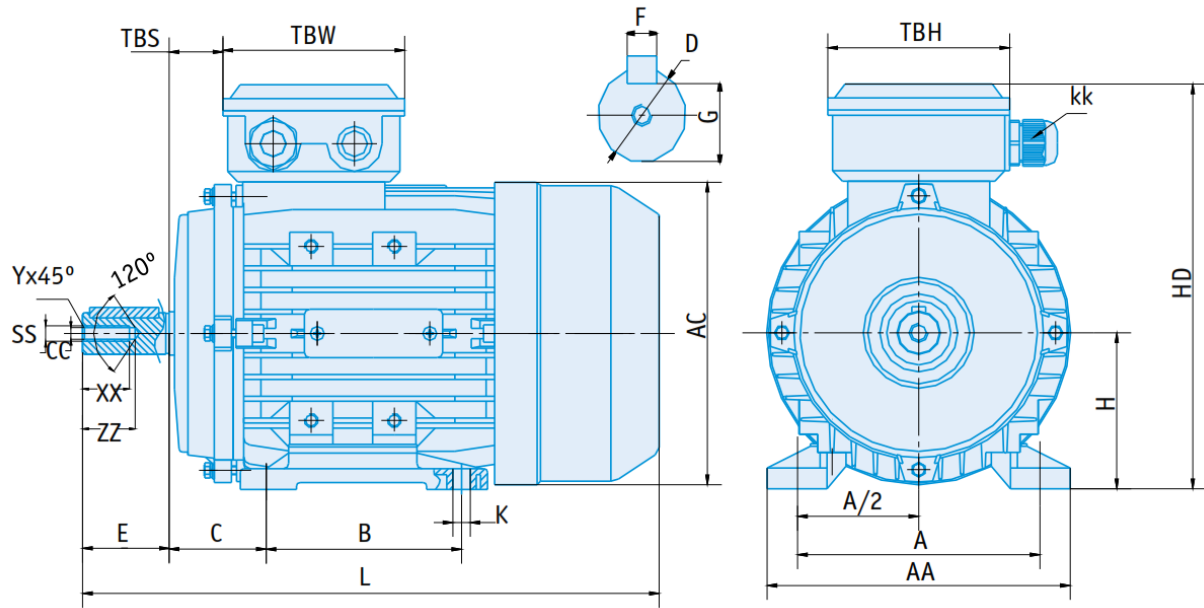


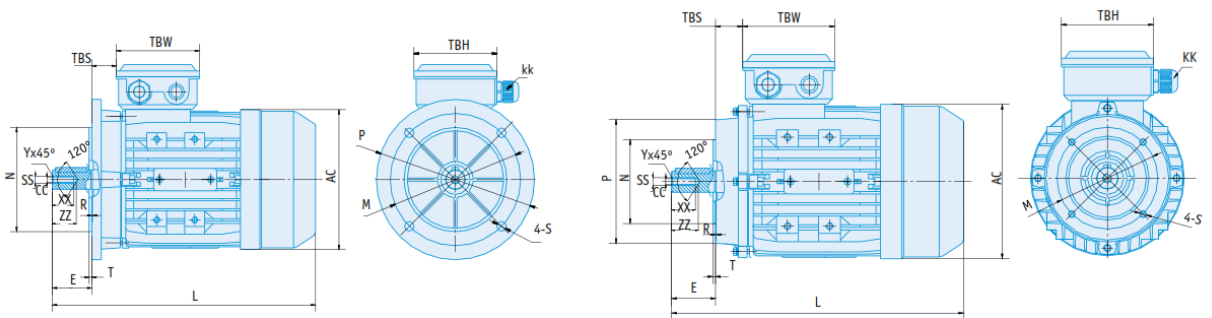
Mõõtmed

MS 100 seeria

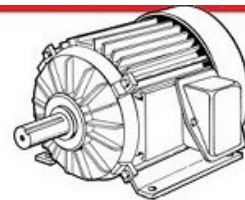


Frame	M B3													Shaft Tolerances J6						
	A	AA	AC	B	C	H	HD	K	KK	L	TBS	TBW	TBH	D	E	F	G	SS	XX	ZZ
100*	160	198	205	140	63	100	252	12x15	2-M20x1.5	369 (387)	26	105	105	28	60	8	24	M10	22	30

* IEC Frame (reduced frame size).



Frame	IM B5 / IM 3001 4 Holes at 45°					IM B5R 4 Holes at 45°					IM B14 / IM 3601 4 Holes at 45°					IM B14G / IM 3601 G 4 Holes at 45°				
	M	N	P	S	T	M	N	P	S	T	M	N	P	S	T	M	N	P	S	T
100	215	180	250	15	4.0	165	130	200	12	3.5	130	110	160	M8	3.5	165	130	200	M10	3.5



Tehnilised andmed

Sünkroon mootorid 3000 pööret 2 pooli

TYPE	Power		M_N N.m	n rpm	IE1 efficiency class EN 60034-2-1 100%	I_N 400 V A	I_A/I_N	Cos ϕ	M_A/M_N	M_k/M_N	J Kgm ²	Noise level dB(A)	m Kg
	kW	CV											
IE1-MS 100 L1-2	3	4	10.09	2840	82.6	6.03	7	0.87	2.2	2.3	0.00211	76	20.0
• MS 100 L2-2	4	5.5	13.40	2850	84.2	7.88	7.5	0.87	2.2	2.3	0.00272	77	24.0

- Reduced frame size.

* The electrical data are not restricted to the series, for more detailed information please ask. Data MSL Series and EQG Series

Sünkroon mootorid 1500 pööret 4 pooli

400 V, 50 Hz

TYPE	Power		M_N N.m	n rpm	IE1 efficiency class EN 60034-2-1 100%	I_N 400 V A	I_A/I_N	Cos ϕ	M_A/M_N	M_k/M_N	J Kgm ²	Noise level dB(A)	m Kg
	kW	CV											
IE1-MS 100 L1-4	2.2	3	14.80	1420	81	4.84	7	0.81	2.2	2.3	0.00335	64	19.2
IE1-MS 100 L2-4	3	4	20.18	1420	82.6	6.47	7	0.81	2.2	2.3	0.00463	64	22.5
• MS 100 L3-4	4	5.5	26.71	1430	84.2	8.36	7	0.82	2.2	2.3	0.00508	65	27.3

- Reduced frame size.

* The electrical data are not restricted to the series, for more detailed information please ask. Data MSL Series and EQG series.

Sünkroon mootorid 1000 pööret 6 pooli

400 V, 50 Hz

TYPE	Power		M_N N.m	n rpm	IE1 efficiency class EN 60034-2-1 100%	I_N 400 V A	I_A/I_N	Cos ϕ	M_A/M_N	M_k/M_N	J Kgm ²	Noise level dB(A)	m Kg
	kW	CV											
IE1-MS 100 L1-6	1.5	2	15.2	945	74	3.85	6	0.76	2.2	2.2	0.00562	61	18.8
• MS 100 L2-6	2.2	3	22.1	950	77	5.43	6	0.76	2.2	2.2	0.01225	63	19.8

Sünkroon mootorid 750 pööret 8 pooli

400 V, 50 Hz

TYPE	Power		M_N N.m	n rpm	IE1 efficiency class EN 60034-2-1 100%	I_N 400 V A	I_A/I_N	Cos ϕ	M_A/M_N	M_k/M_N	J Kgm ²	Noise level dB(A)	m Kg
	kW	CV											
MS 100 L1-8	0.75	1	10.1	710	66	2.45	3.5	0.67	1.7	2.1	0.00563	59	17.2
MS 100 L2-8	1.1	1.5	14.8	710	72	3.2	3.5	0.69	1.7	2.1	0.00716	59	19.5